

## WATER BOILER TYPE KWH KWH

No	Item	Unit	Thermal power		
1	Rated thermal power	kW	55	110	180
2	Adapted for co-operation with the unit <sup>1)</sup>		AZSD-50	AZSD-100	AZSD-180
3	Rated thermal power together with AZSD	kW	60*	90**	190***
4	Basic fuel for AZSD	Comminuted wood of up to 30 mm granulation and 30-50% humidity			
5	Thermal power adjustment range	%	30 - 100		
6	Heated boiler surface	m <sup>2</sup>	5,5	11,5	21
7	Admissible static pressure	MPa	0,3		
8	Max. temp. of outlet water	°C	95		
9	Required draft behind the boiler	Pa	>23	>26	>29
10	Average exhaust gas temp. at the flue	°C	200		
11	Basic fuel consumption at nominal power of AZSD	kg/h	24,1*	40,57**	55***
12	Thermal efficiency at nominal power when coupled with AZSD	%	≥77,7	≥78,7	≥78,7
13	Weight with insulation	kg	600	1150	1750
14	Funnel height <sup>2)</sup>	m	8	12	12
15	Funnel diameter •	mm	190	315	370
16	Water volume	l	180	350	800

\*- at n.c.v. 12 028 kJ/kg

\*\* - at n.c.v. 9 535 kJ/kg

\*\*\* - at n.c.v. 15955 kJ/kg

1) - connection dimensions – see appropriate drawings

2) - with natural draft

Table 1 continued

No.	Item	Unit	Thermal power			
			300	600	1000	2000
1	Rated thermal power	kW	<b>300</b>	<b>600</b>	<b>1000</b>	<b>2000</b>
2	Adapted for co-operation with the unit <sup>1)</sup>		<b>AZSD-250</b>	<b>AZSD-500#</b>	<b>AZSD-1000##</b>	<b>2xAZSD-1000</b>
3	Rated thermal power together with AZSD	kW	<b>300*</b>	<b>550***</b>	<b>1000*</b>	<b>2000****</b>
4	Basic fuel for AZSD	Comminuted wood of up to 30 mm granulation and 30-50% humidity				
5	Thermal power adjustment range	%	30 - 100			
6	Heated boiler surface	m <sup>2</sup>	25,0	49,0	78,0	174,0
7	Admissible static pressure	MPa	0,3			
8	Max. temp. of outlet water	°C	95			
9	Required draft behind the boiler	Pa	>35	>40	>56	>65
10	Average exhaust gas temp. at the flue	°C	220	240		
11	Basic fuel consumption at nominal power of AZSD	kg/h	118,15*	156***	375,6*	783,7****
12	Thermal efficiency at nominal power when coupled with AZSD	%	≥81,9	≥81,9	≥81,9	≥81,9
13	Weight with insulation	kg	2150	3100	6250	12500
14	Funnel height <sup>2)</sup>	m	15	18	22	29
15	Funnel diameter <sup>2)</sup>	mm	490	620	800	1100
16	Water volume	l	1400	2100	4300	7800

\* - at n.c.v. 12 028 kJ/kg

\*\*\* - at n.c.v. 15955 kJ/kg

\*\*\*\* - at n.c.v. 11484 kJ/kg

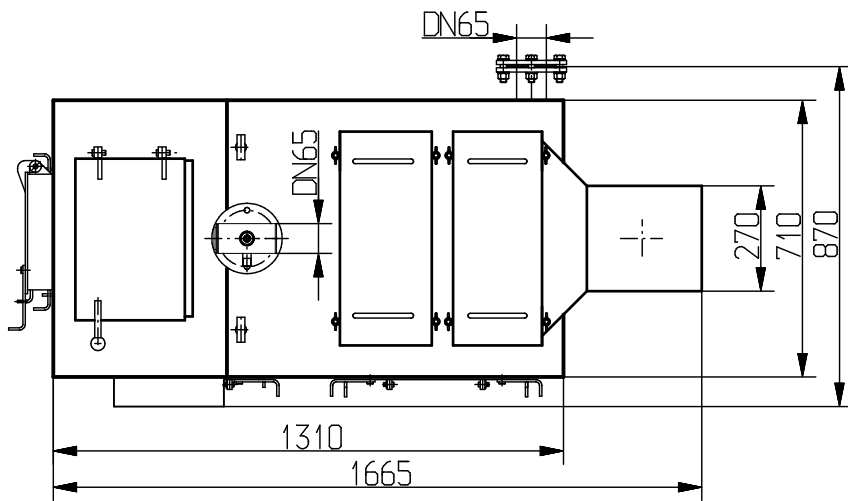
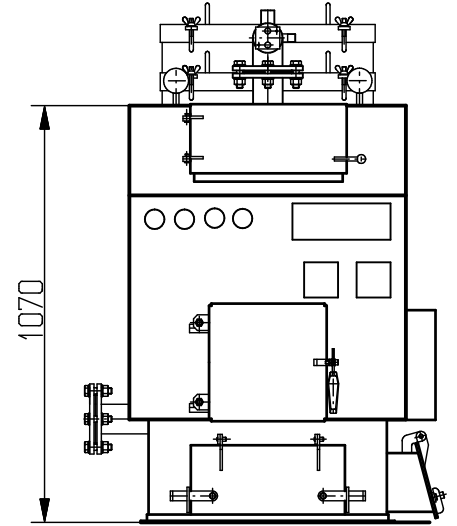
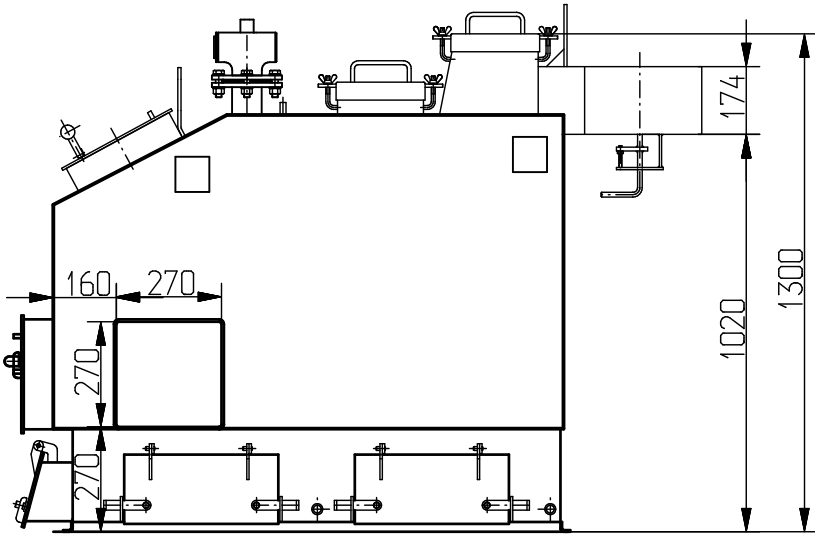
<sup>1)</sup>- connection dimensions – see appropriate drawings

<sup>2)</sup>- with natural draft

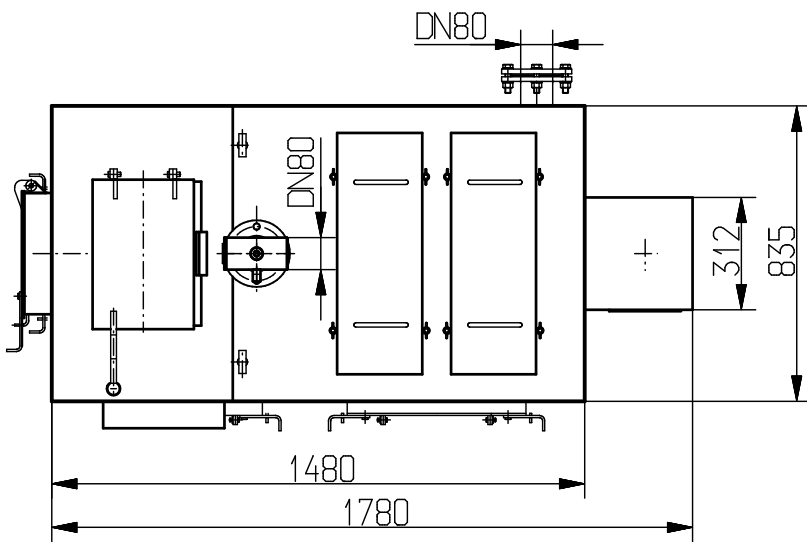
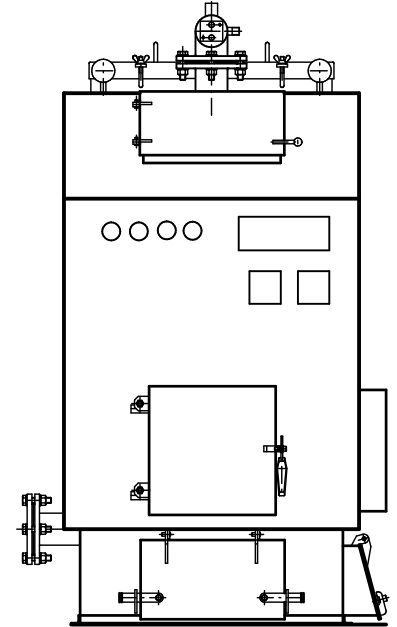
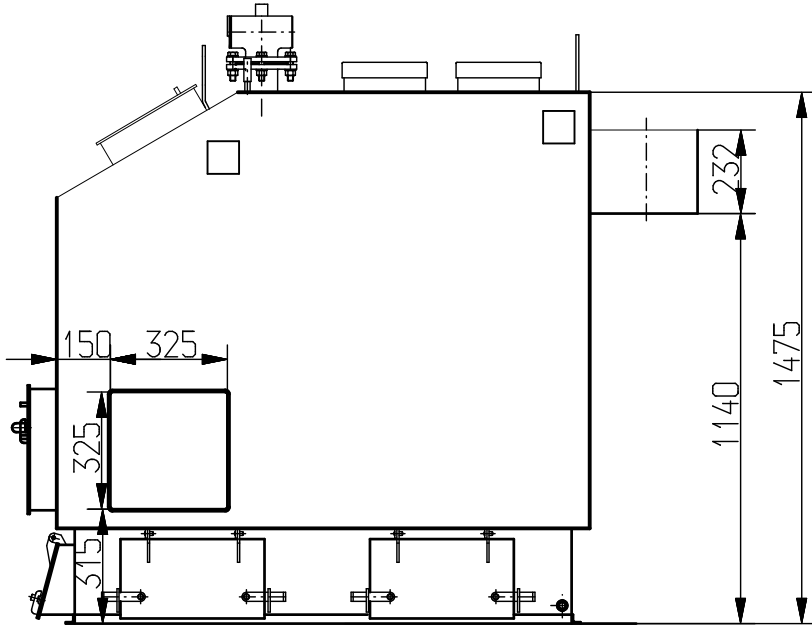
# - it is possible to order a boiler adapted for 2xAZSD-250, see fig.7.

## - it is possible to order a boiler adapted for 2xAZSD-500, see fig.9.

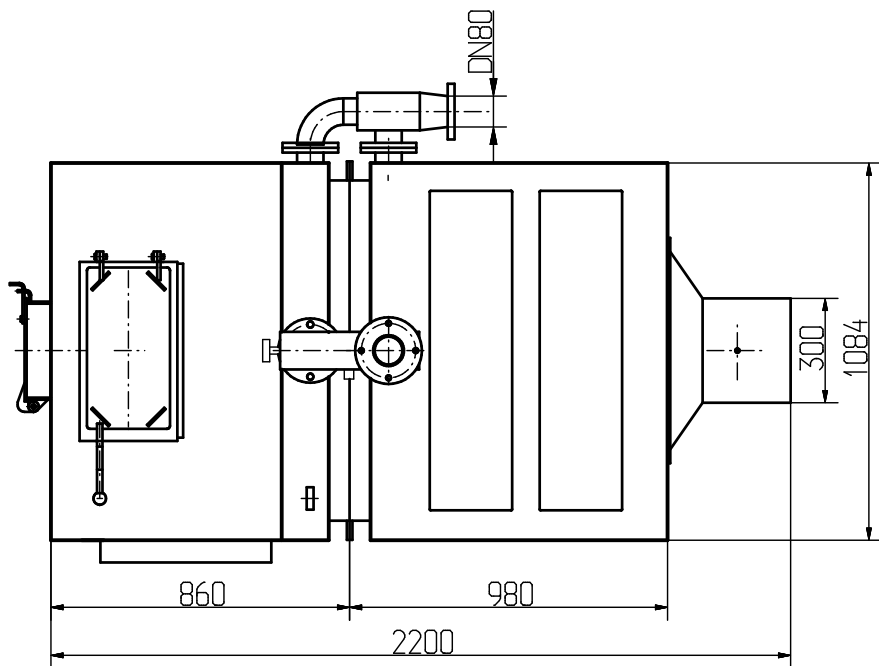
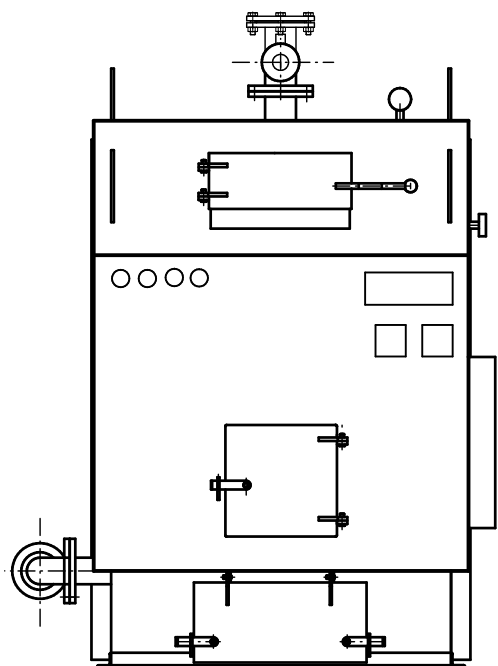
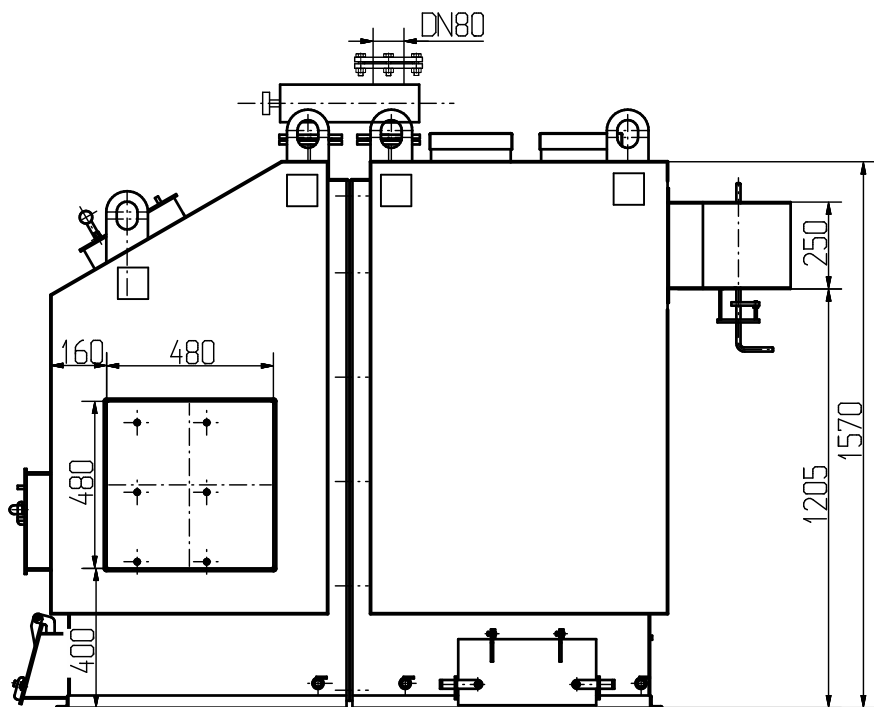
The nominal thermal power for the set boiler + AZSD is given for optimum combustion conditions at defined fuel n.c.v. (fuel humidity). When fuel of higher n.c.v. will be used, the thermal power will grow proportionally in relation to the fuel the boiler was tested with



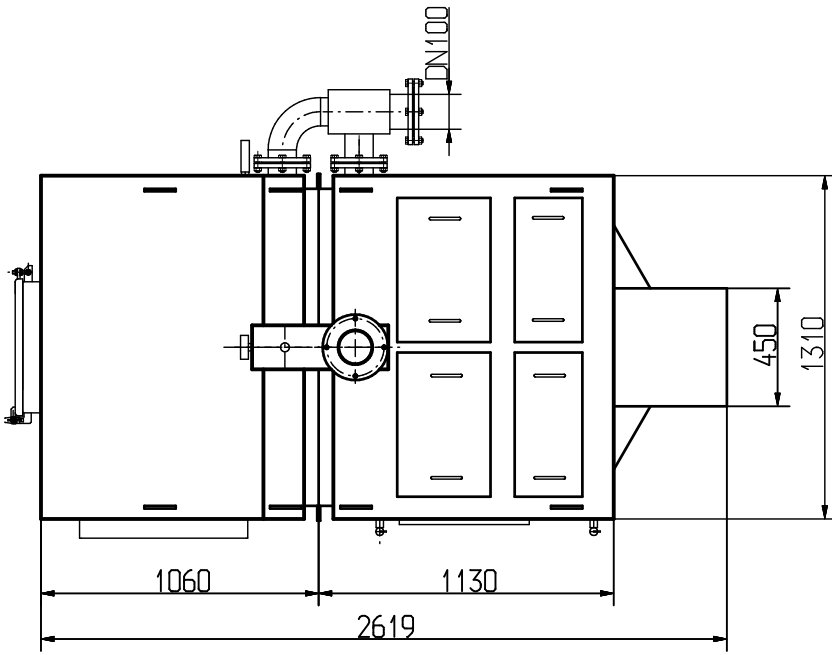
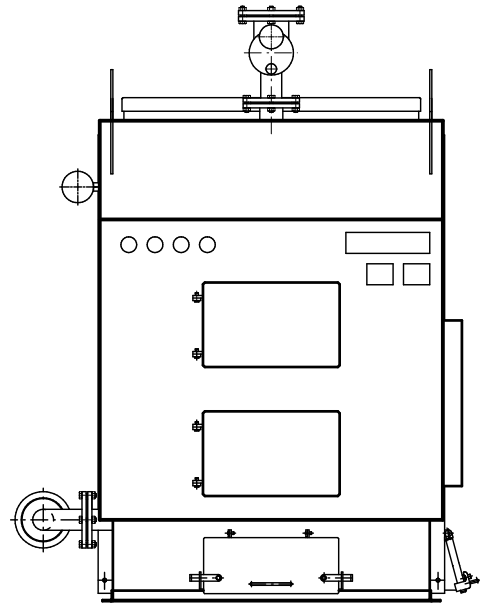
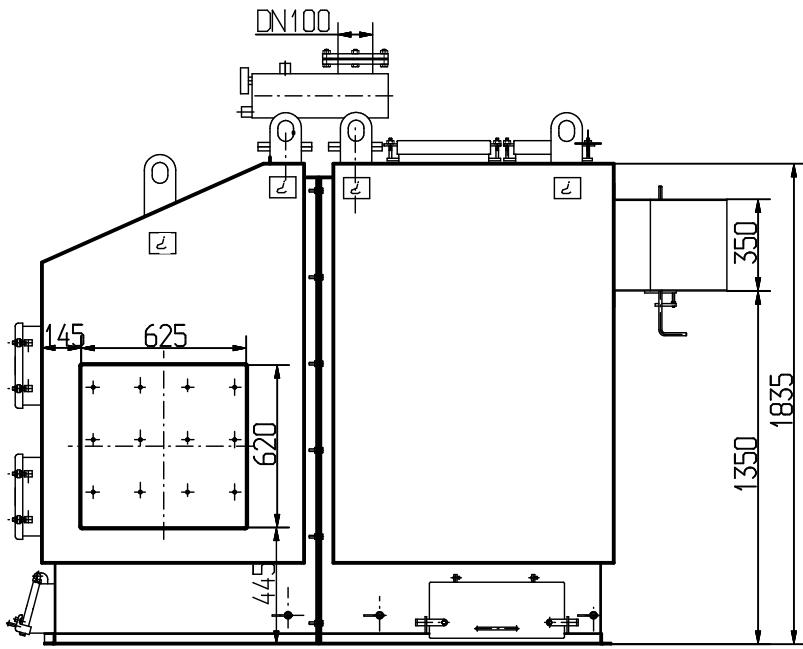
KWH-55



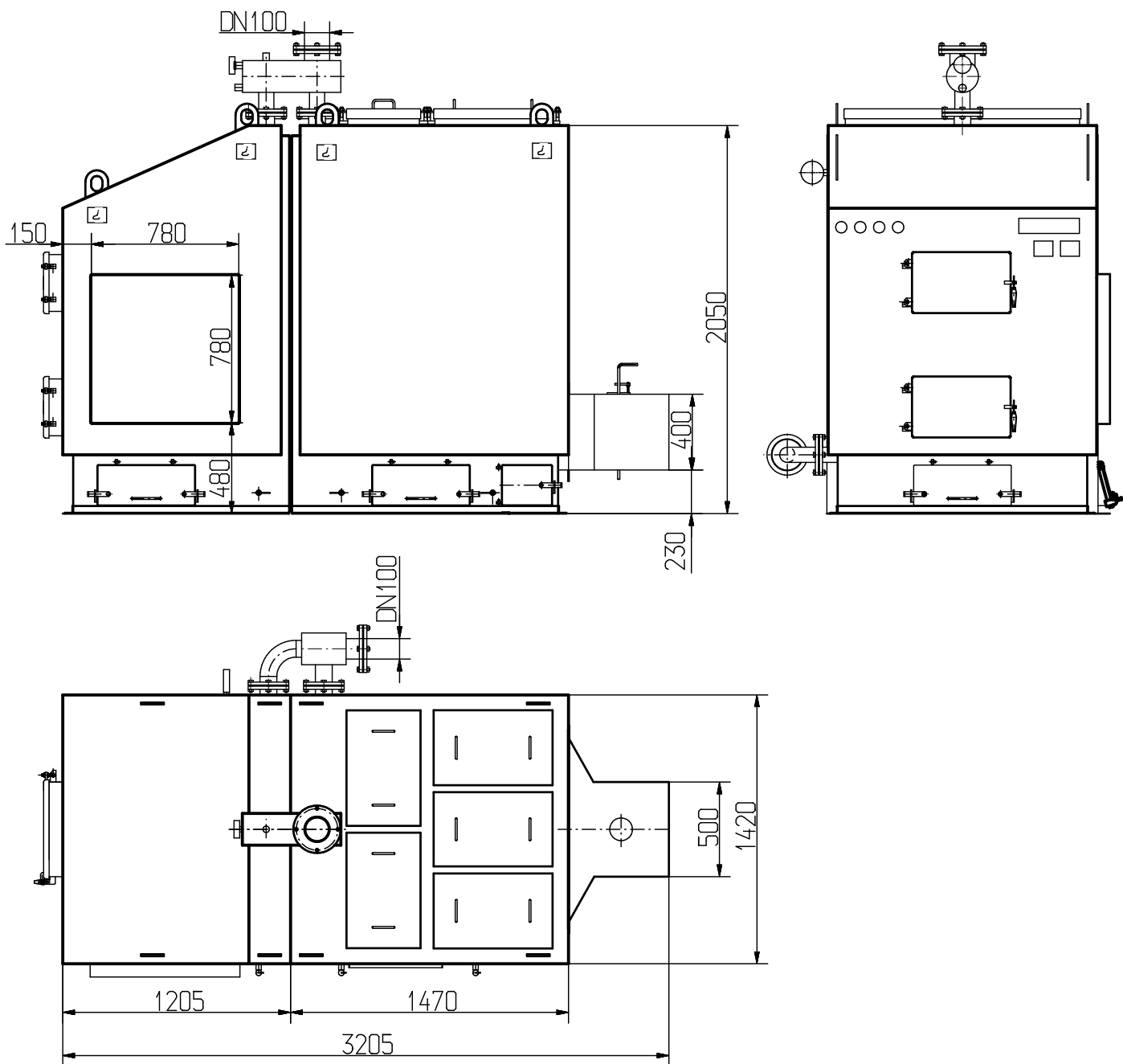
KWH-110



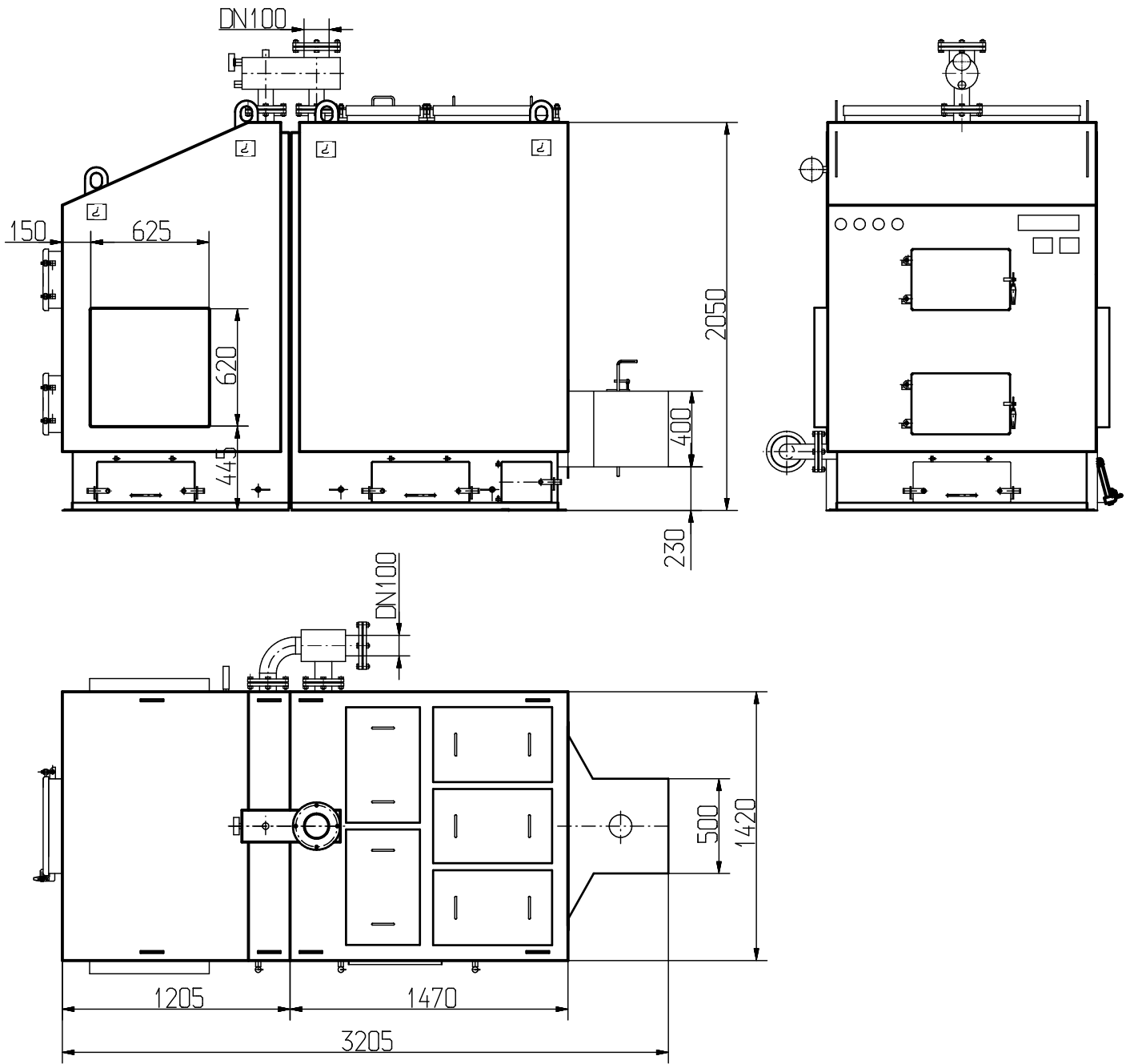
KWH-180



KWH-300

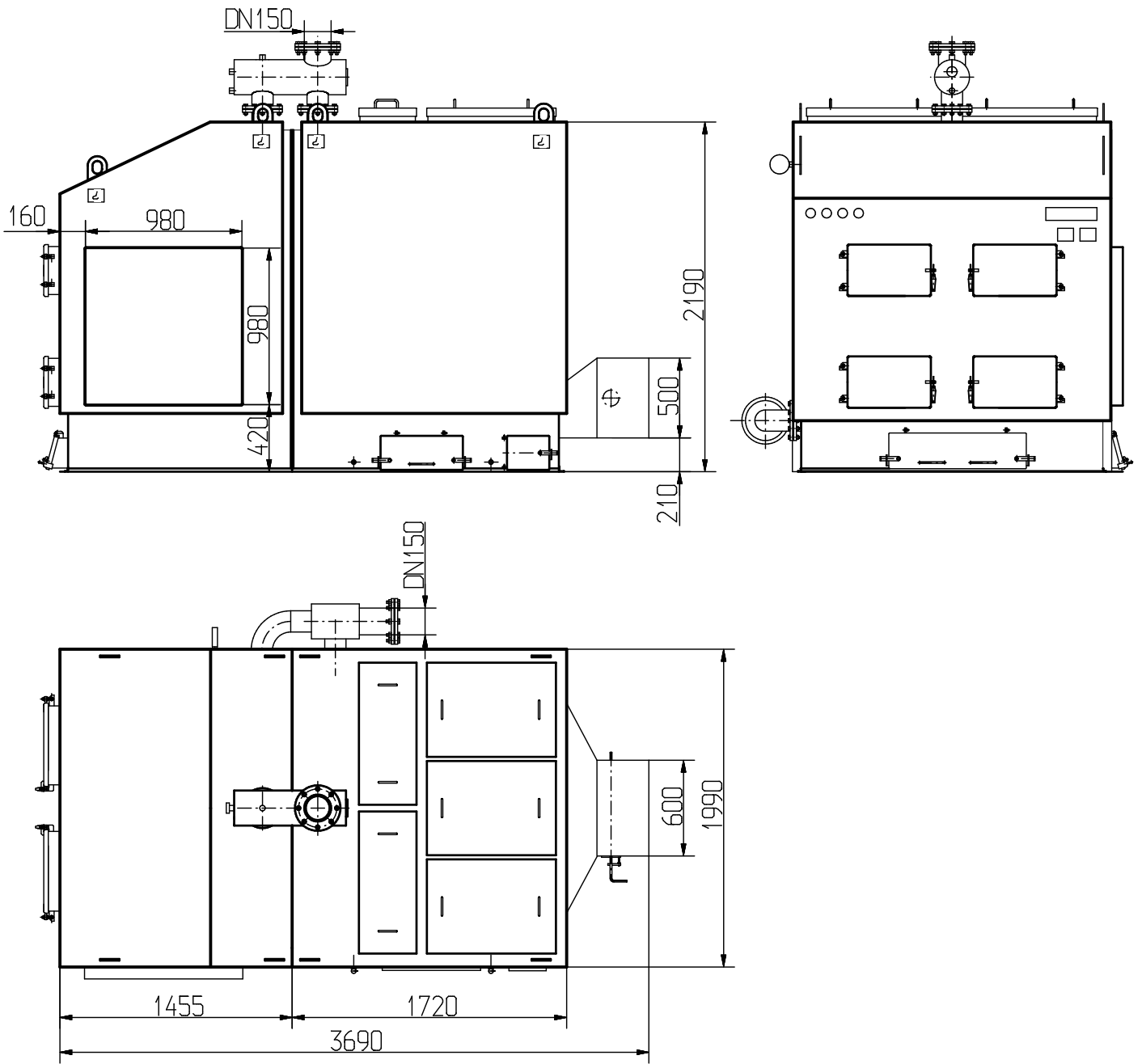


KWH-600

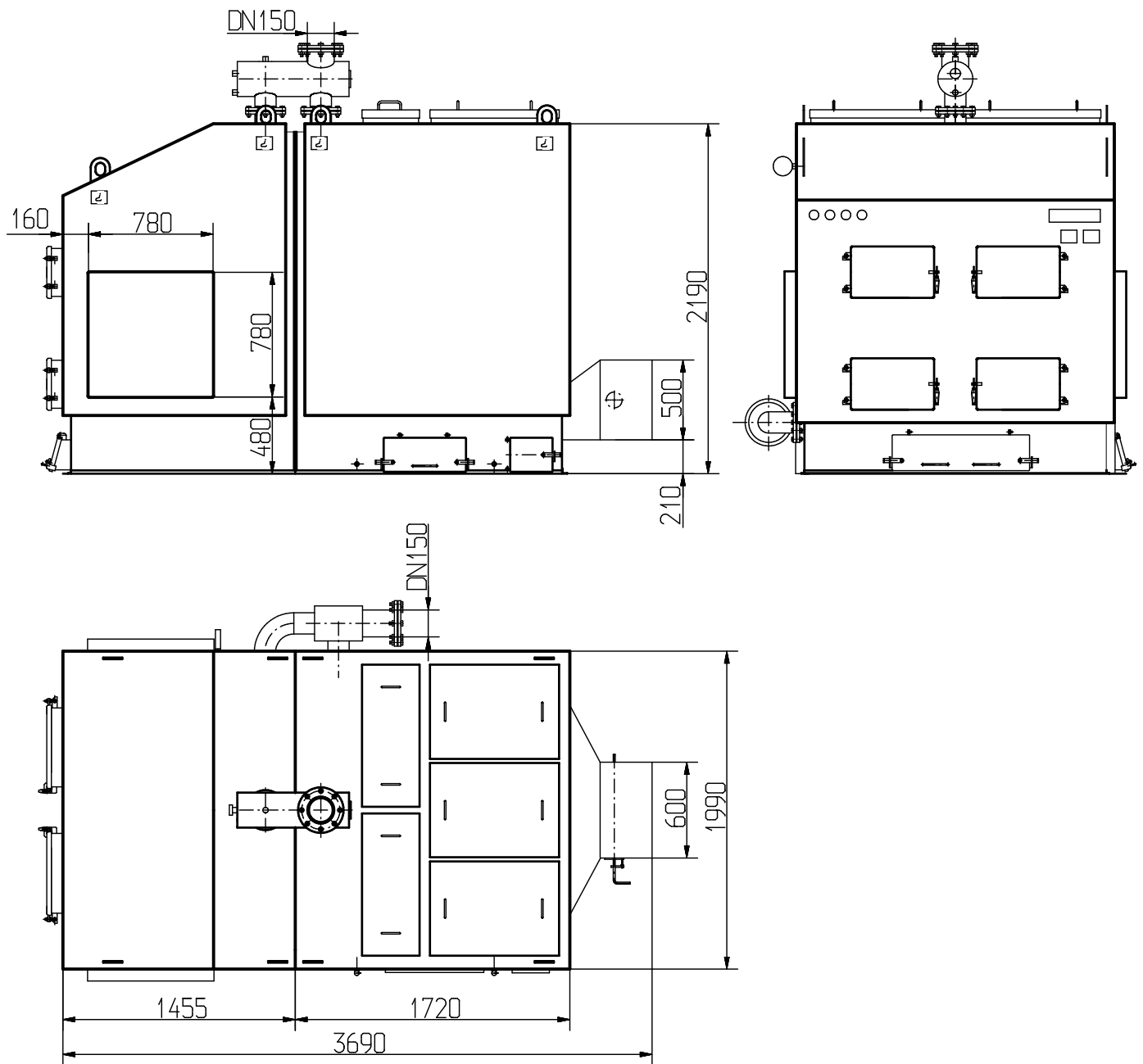


KWH-600/2xAZSD-250/

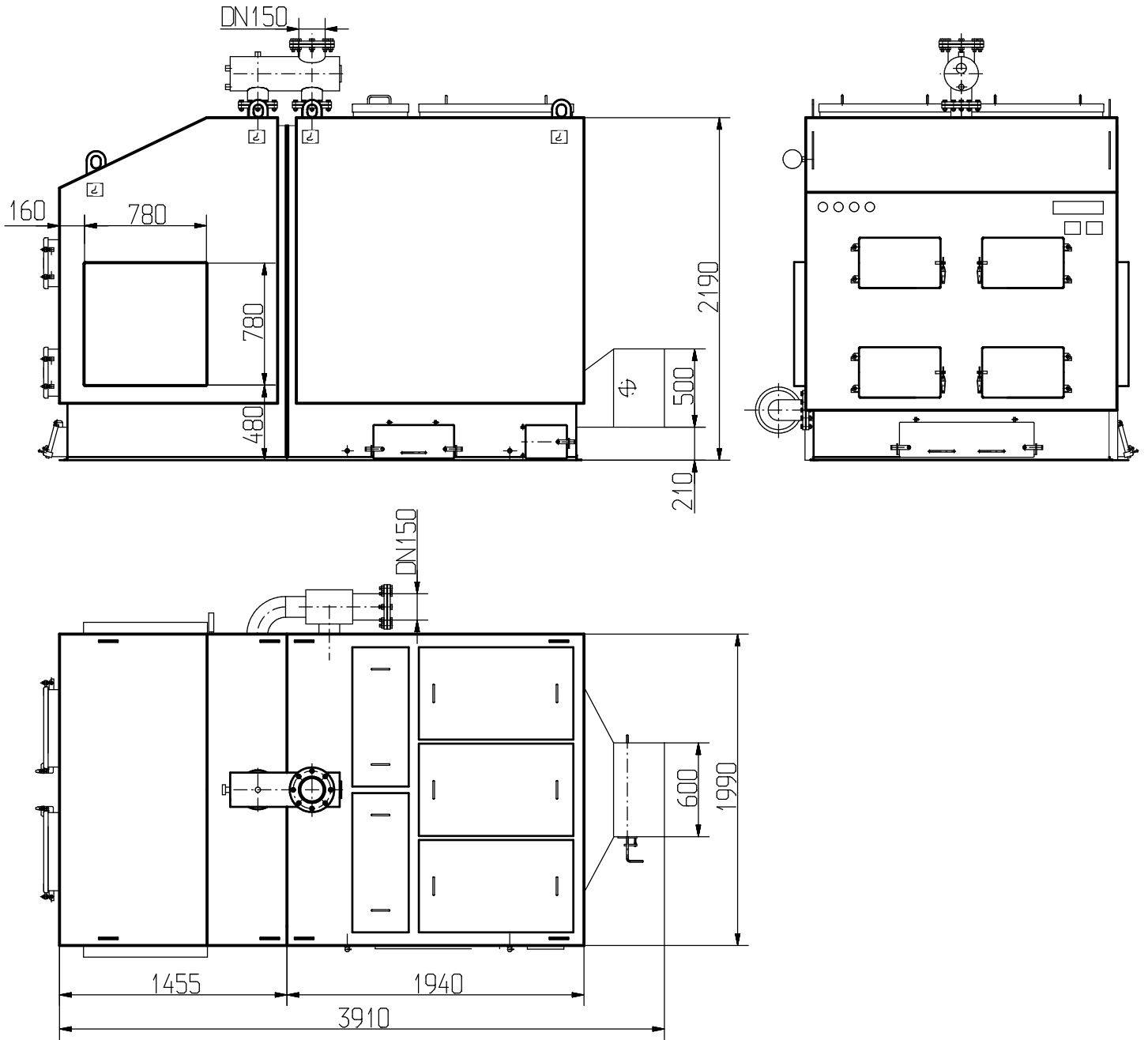




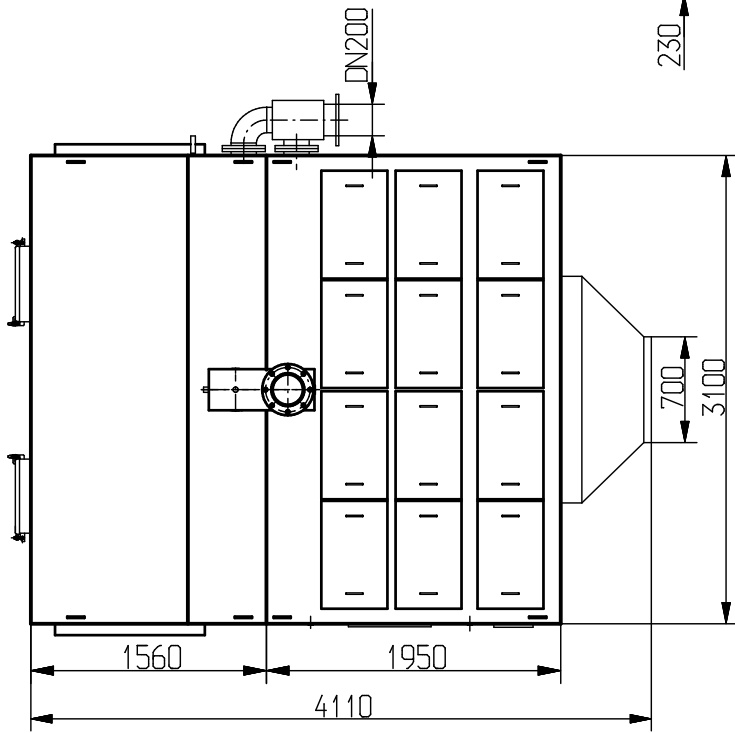
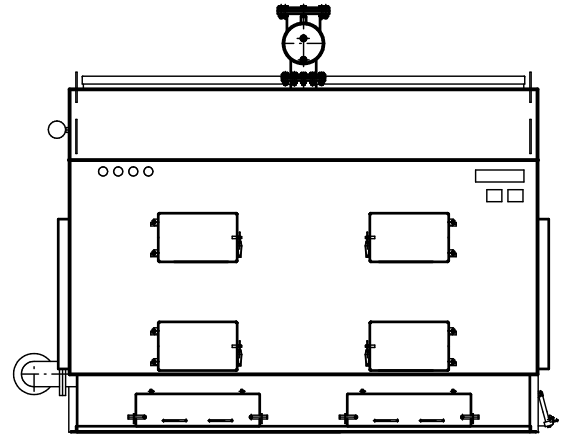
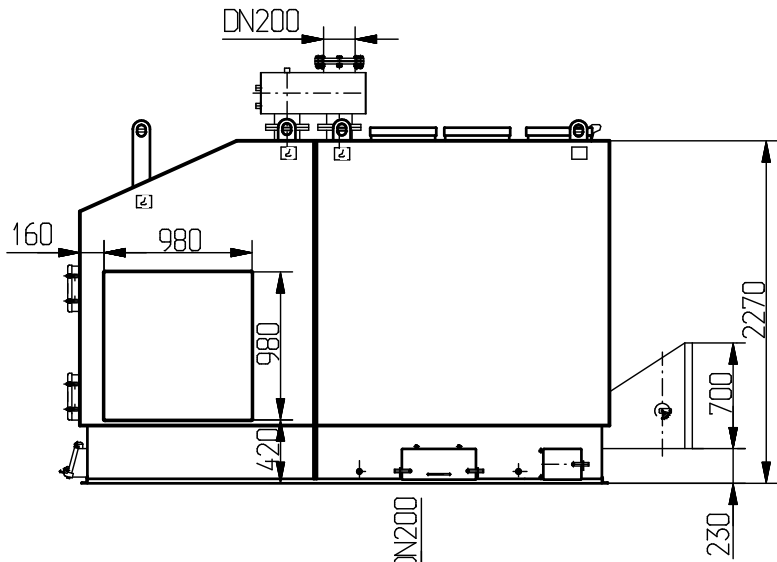
KWH-1000



KWH-1000/2xAZSD-500/



KWH-1200 / 2xAZSD-500/



KWH-2000